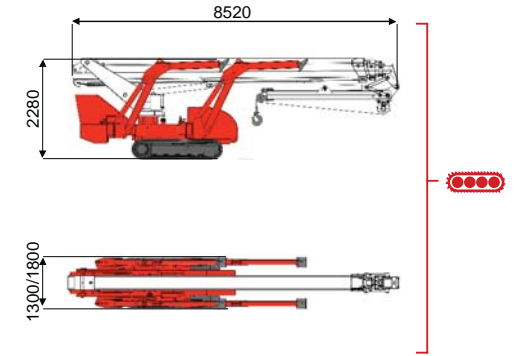
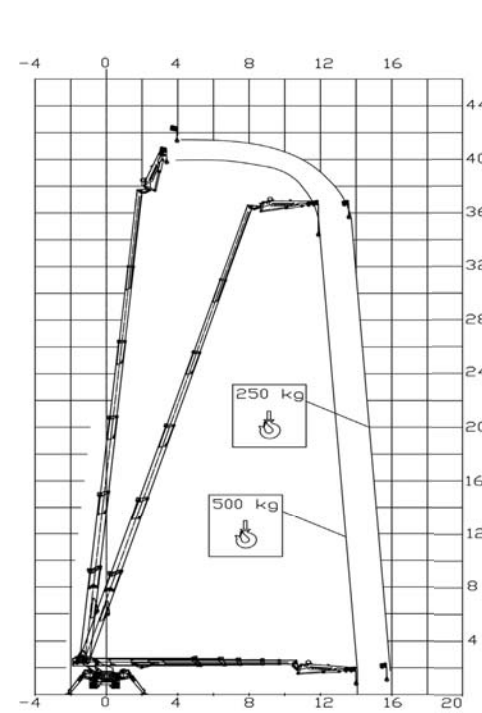


42 m ↑
16 m →
500 Kg ⚙️



BI-ENERGY
Diesel+AC



XTJ 43/C-R



42 m

16 m

500 kg

660°

5,33 m

25%

40%

2,25 km/h

10900 kg

75 kN

4,06 kN/m²

5,33 kN/m²

1350/1800 mm

8520 mm

2280 mm



Battery type

ECO DC+AC



Battery charge

230V-48V 45A



Add. Weight

400 kg



Autonomy

6-7 h endless



Charging time

7h

Electropump

48V 9kW

Palazzani
INDUSTRIE

Palazzani Industrie S.p.A.
Via del Pavione, 4
25050 - Paderno F.C. (BS) - Italy
Tel. (+39) 0306857073 Fax (+39) 030657079
platforms@palazzani.it
www.palazzani.it

COMPANY WITH
QUALITY SYSTEM
CERTIFIED BY DNV GL
= ISO 9001 =

NC 443 A 16