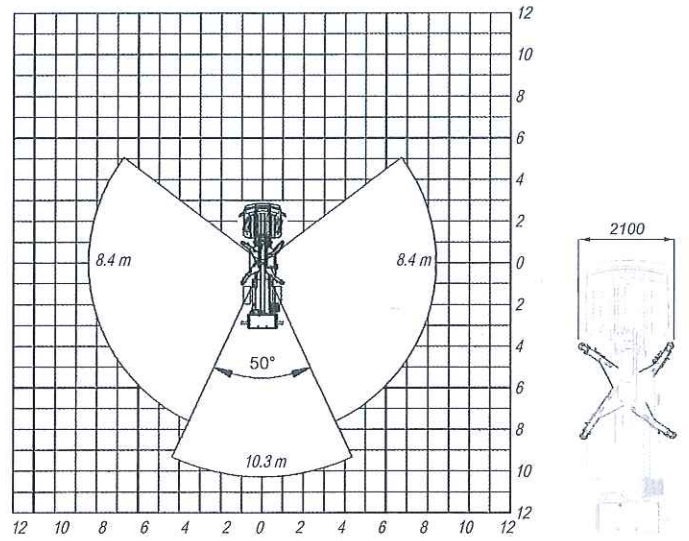
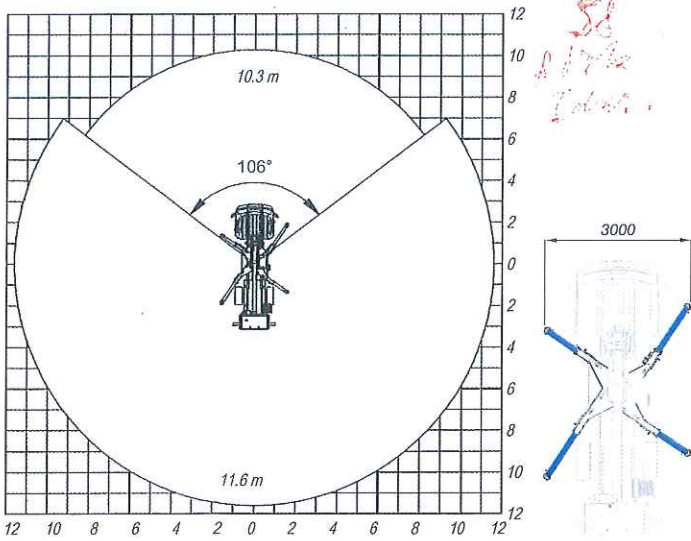
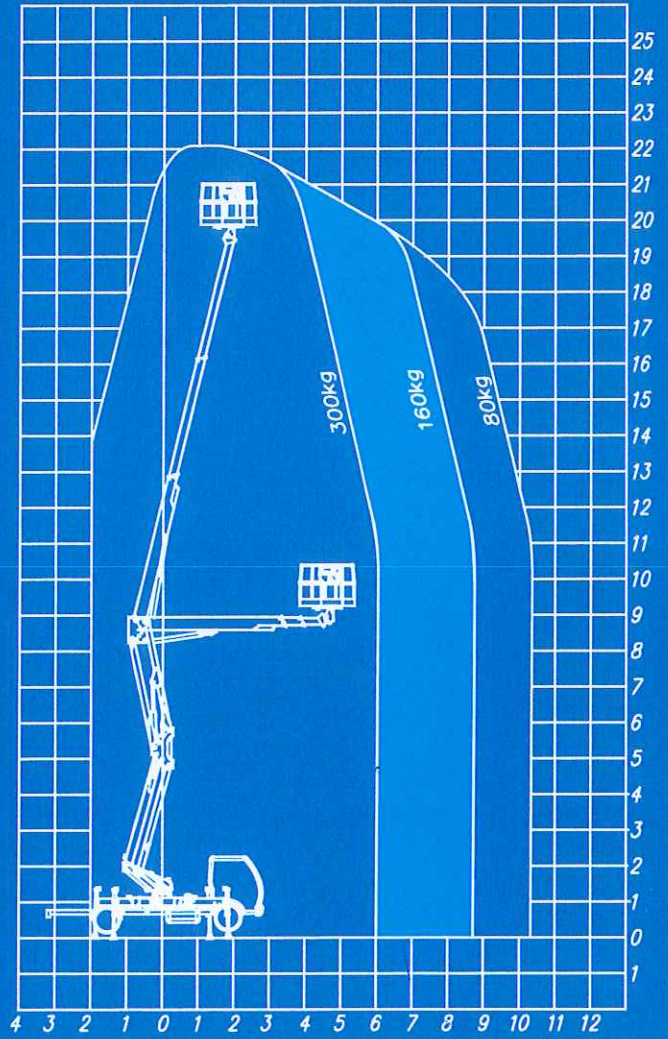
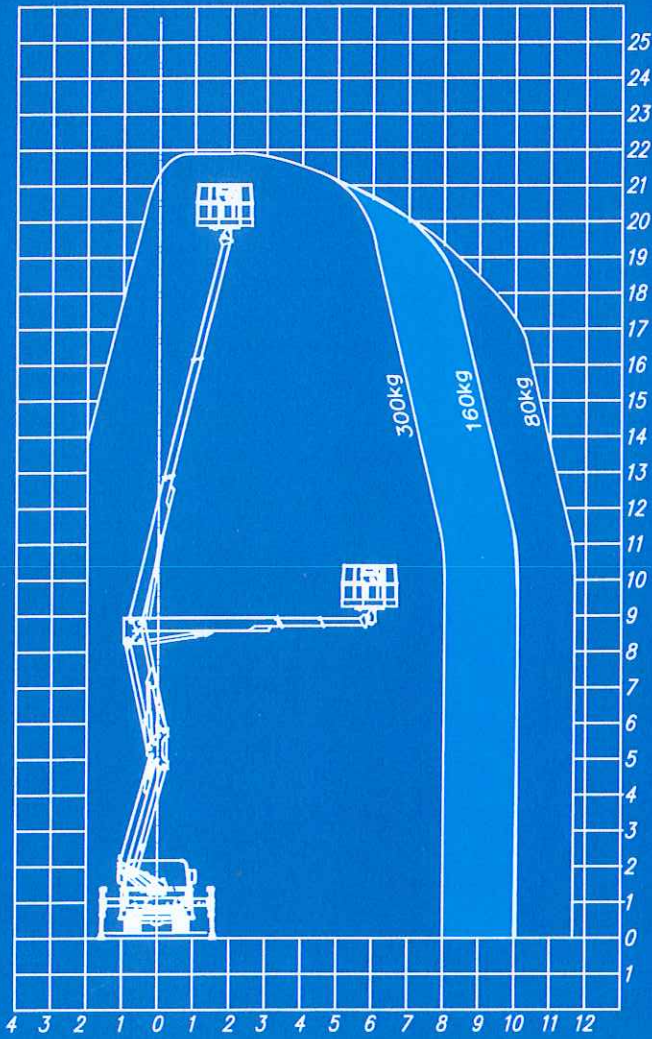


maximum

medium



22,00 m



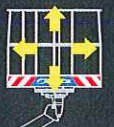
20,00 m



12,00 m

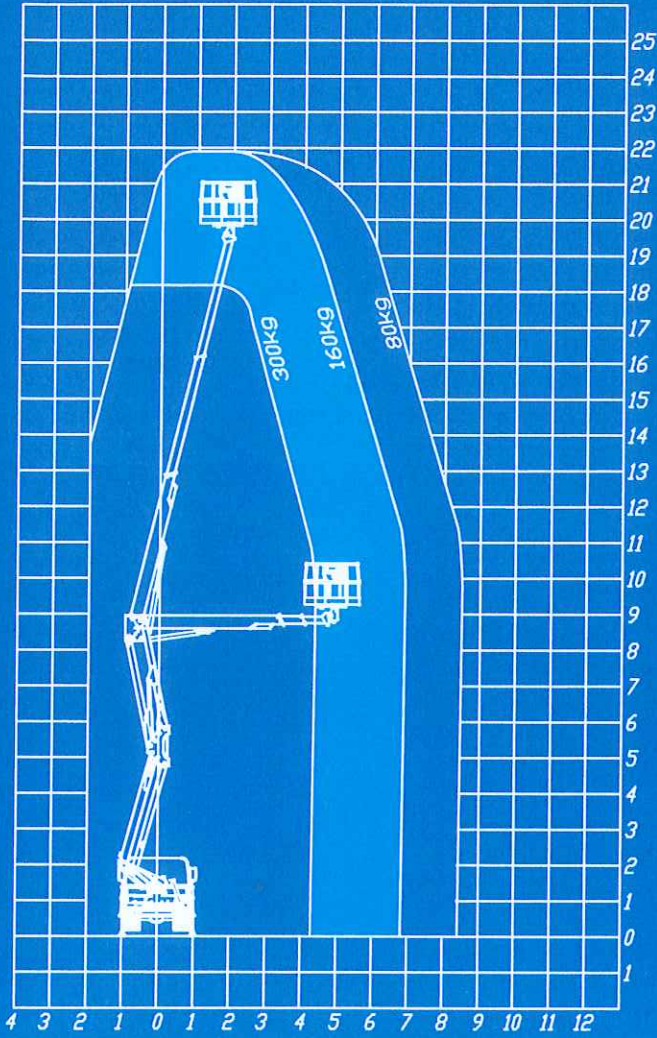


300 kg



1,4x0,7x1,1 m

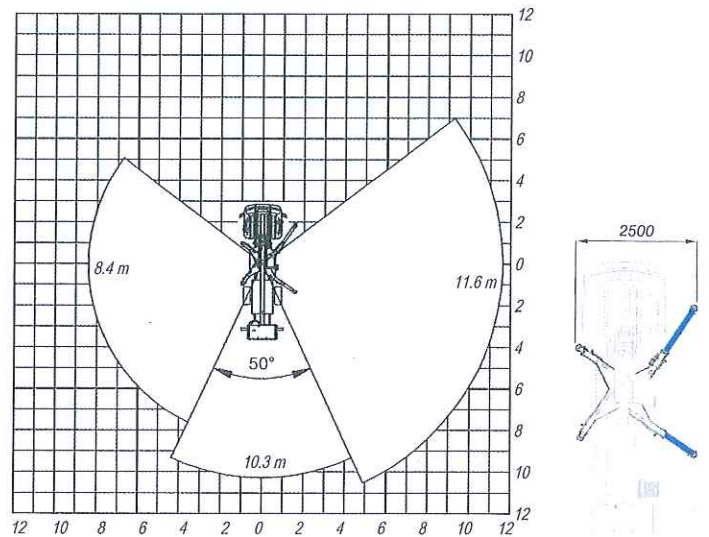
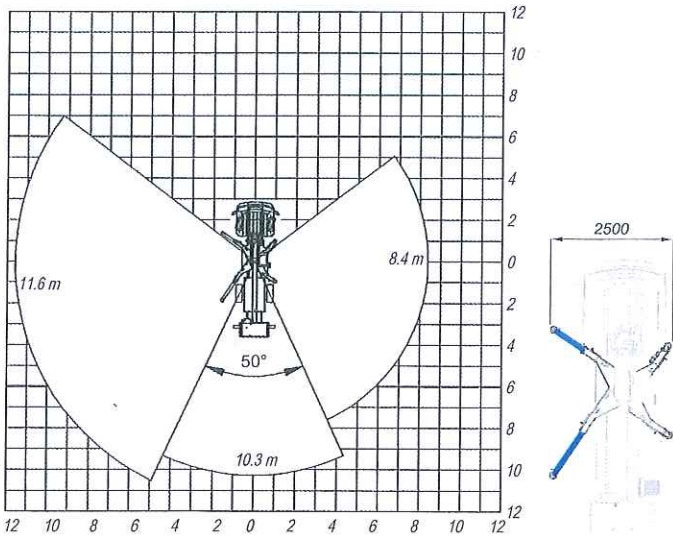
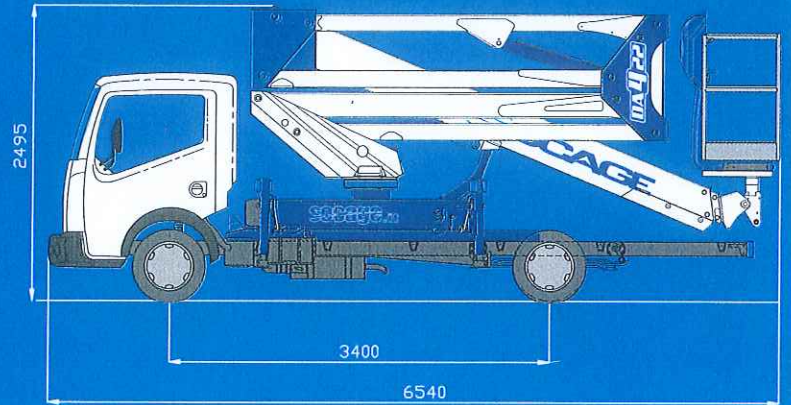
minimum



DA422

for Ste.it

X FACTOR



700°



alluminium



90°+90°



ME+ME



Hydraulic