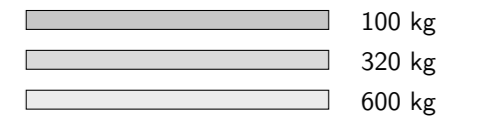
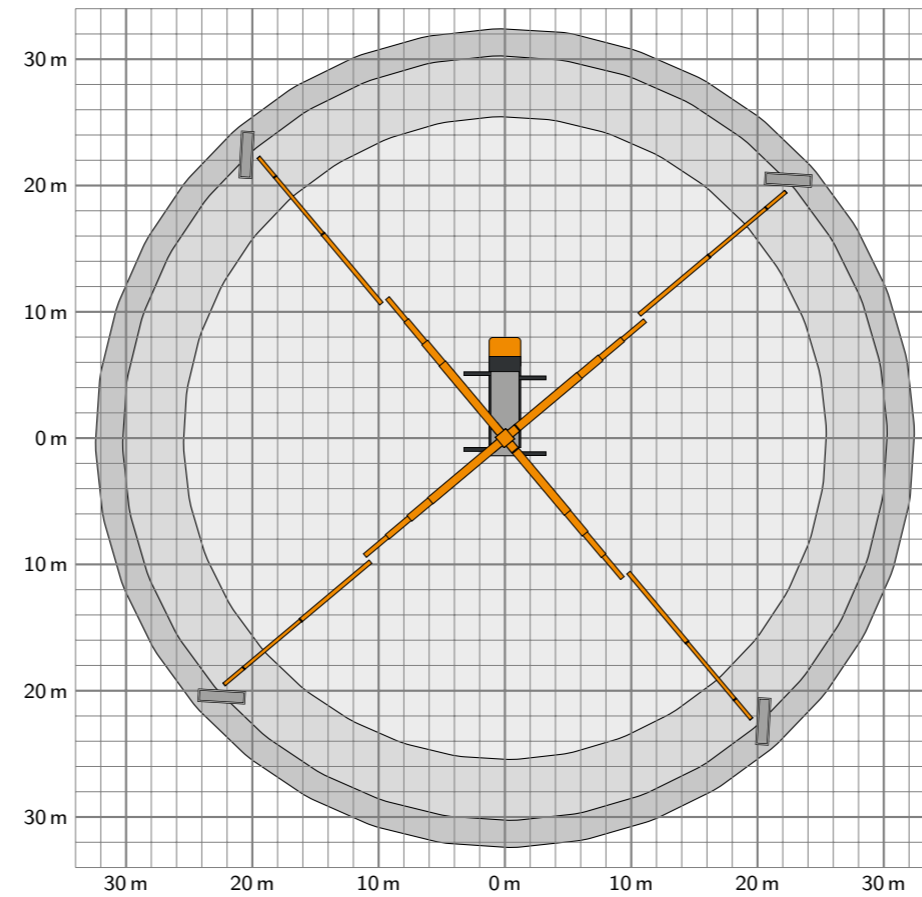
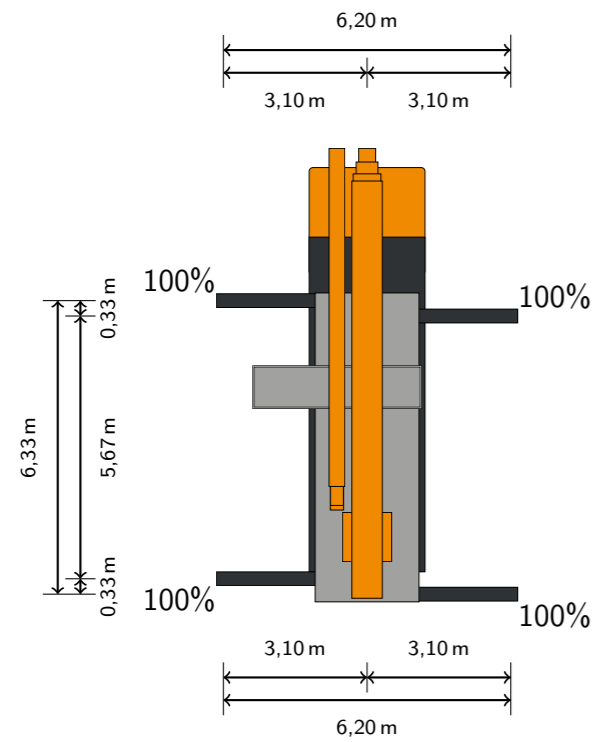
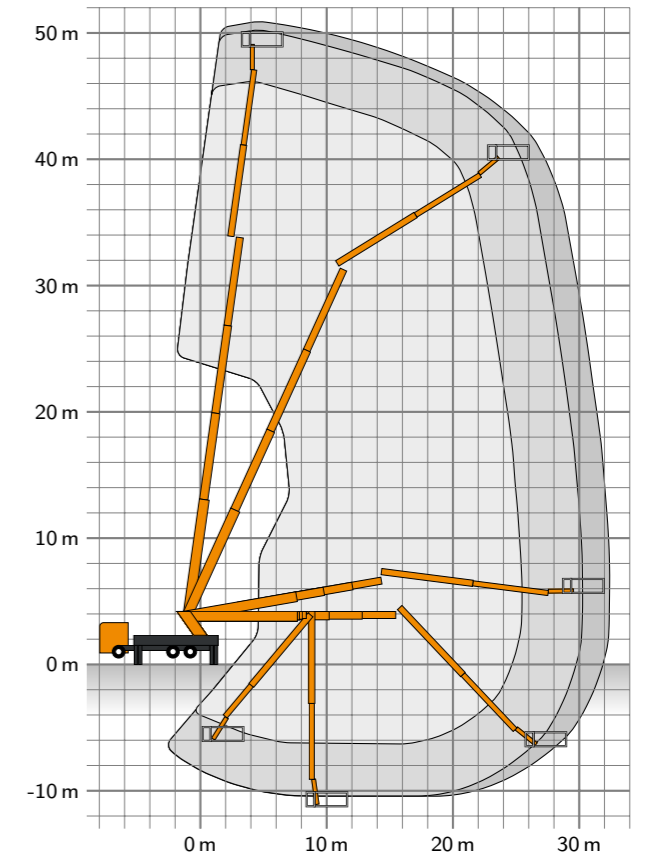
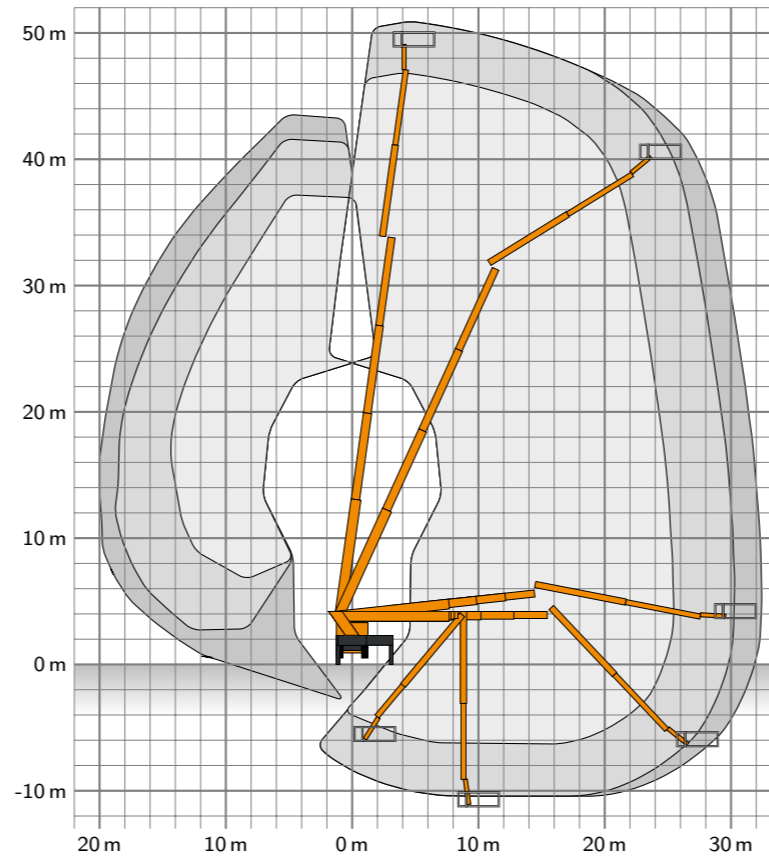
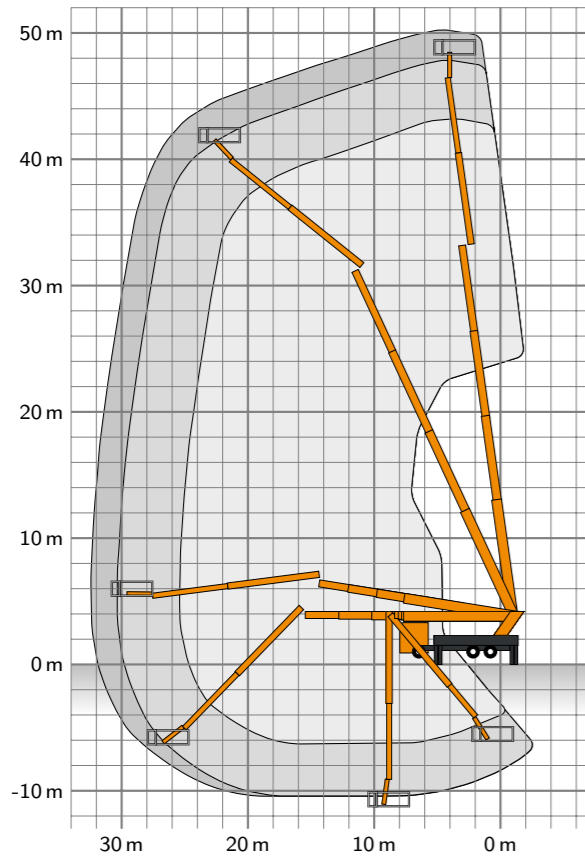


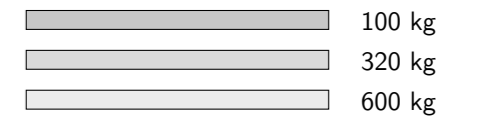
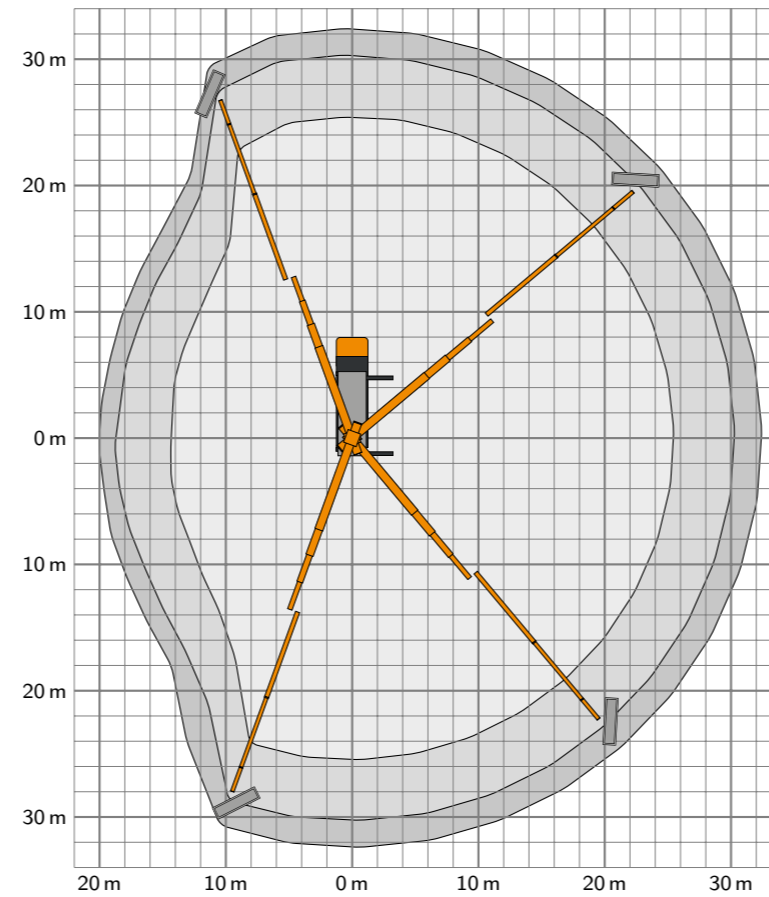
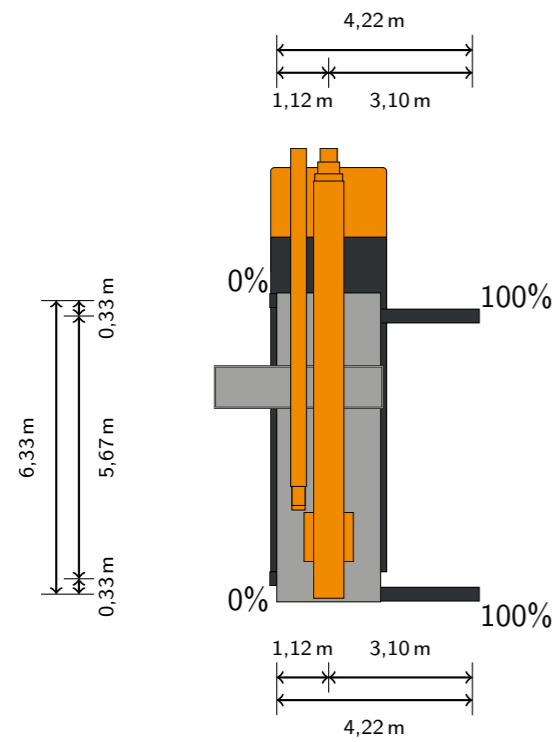
Centre of the outrigger plates!



Description		Scale
Working area (theoretical)		1:600
RUTHMANNSTEIGER® T 510 flex-3A		Com. No.
Volvo FMX 460 6x2 BL		34219
Ruthmann Holdings GmbH Ruthmannstr. 4 48712 Gescher Germany		Sheet
		1
		No. Sheets
1		
Working height max.	Outreach max.	
50,9 m	32,5 m	
Date: 13th November 2023	Format: A3	FTA-hem



Centre of the outrigger plates!



Description		Scale
Working area (theoretical)		1:600
RUTHMANNSTEIGER® T 510 flex-3A		Com. No.
Volvo FMX 460 6x2 BL		34219
Ruthmann Holdings GmbH Ruthmannstr. 4 48712 Gescher Germany		Sheet
		1
		No. Sheets
1		
Working height max.	Outreach max.	
50,9 m	32,4 m	
Date: 13th November 2023	Format: A3	FTA-hem